

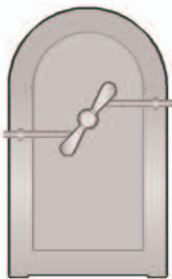
# CLASSY CUSTOM



## PET DOOR INSTALLATION INSTRUCTIONS

Thank you for purchasing a Classy Custom Pet Door.

### A. THIS PACKAGE CONTAINS THE FOLLOWING ITEMS:



1. The Security Door



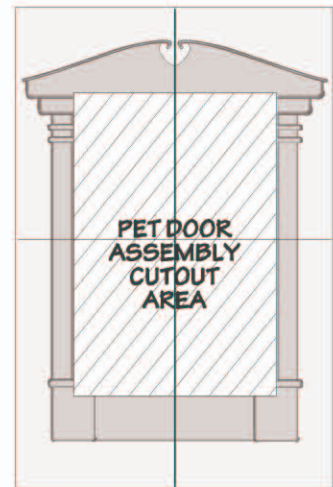
2. The Decorative Frame



3. The Pet Door Assembly Side "A"



Pet Door Assembly (Edge View)



4. The Pet Door Paper Cutout Template

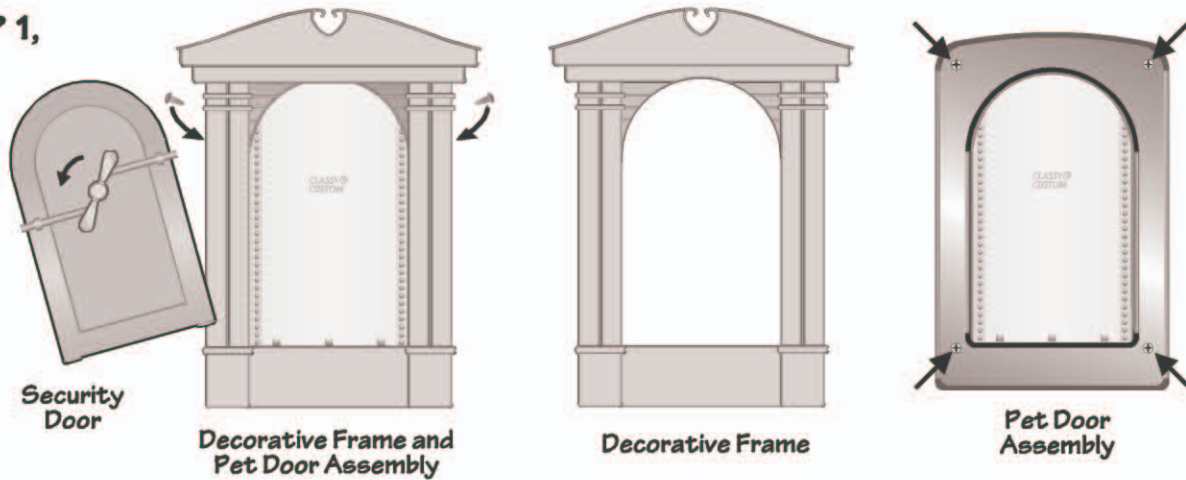


5. A Small Bag of Screws

### B. BASIC TOOLS YOU WILL NEED:



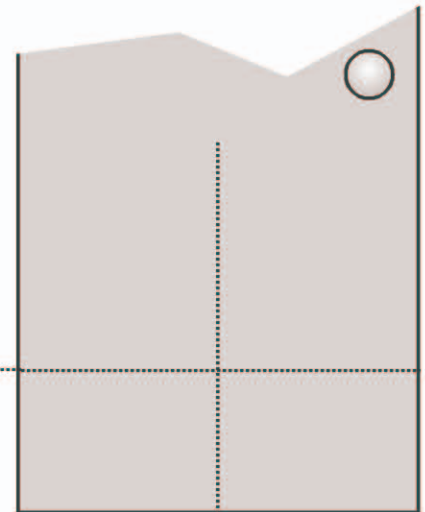
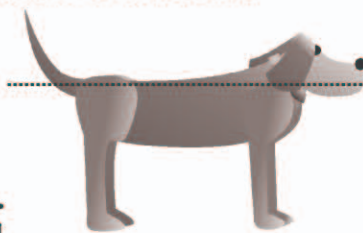
## STEP 1,



Remove the Security Door by turning the handle on the Security Door to the left. Then, lift it off. Using a Phillips Screwdriver, remove each of the Screws from the sides of the Decorative Frame. Gently pull the Frame toward you from the top and set it aside. Next, unfasten the 4 Medium Size Screws attaching Side "A" of the Pet Door Assembly [with the Flap] to Side "B" [with the Spacers] and separate them.

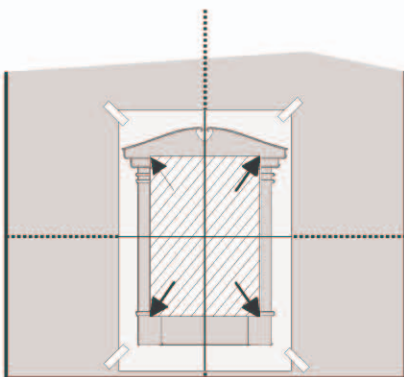
## STEP 2.

Measure the height of your pet from a paw to the top of the shoulder. This height is approximately the center of the opening you will cut out. Using a pencil, mark this height up from the bottom of the door with a horizontal line. Now, draw a vertical line marking the center of the door. Remember to measure for the largest animal that will be using the Pet Door.



Unfold the Paper Door Template. Printed on this Template you will

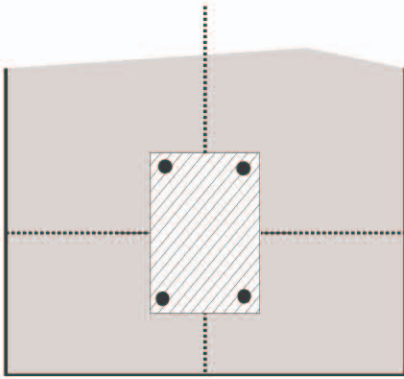
find a picture of the Decorative Frame to help you position your Pet Door. It also shows the 4 corner holes you will mark to make your Cutout Opening.



Position the Paper Template on your door. Make sure the bottom of the Decorative Frame printed on the Paper Template is at least 2" above the base of the door. Line up the horizontal and vertical center lines printed on the Template with the center lines you have drawn on your door. Use four pieces of tape to secure the Template into position on your door.

Use an Awl or a Push-Pin to make a mark on the door, through the Paper Template, to mark each of the four corners of the Cutout.

Remove the Paper Template and use a ruler and a pencil to draw straight lines that connect the four corner marks you have made on the door. You have now outlined the area you will cut out for your Pet Door installation.



Drill 1/2" starter holes inside each corner of the Cutout Opening area. This will allow you to insert a Saber Saw or an Electric Jig-Saw into the starter holes. Then saw along the straight lines you have drawn. When finished, you will have an opening ready to receive the Pet Door Assembly.

### STEP 3.



Measure your door thickness. **?** The chart below will help you determine which combination of Spacers, Screws and Nuts, when applied to your Pet Door, will equal your door's thickness to create an ideal fit.

Your Pet Door is factory assembled with 3 Spacers, 4 Medium Screws and 8 Nuts.



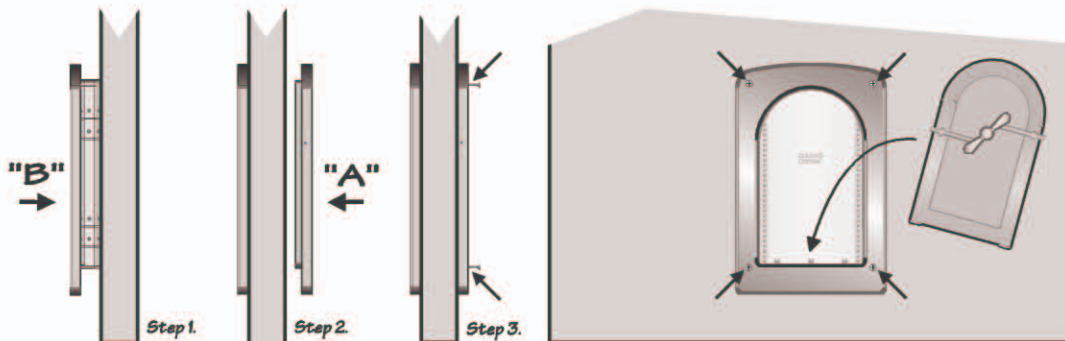
If your door thickness is... You will need...

Between 1/16" and 3/8"	No Spacers, 4 Small Screws and no Nuts
Between 3/8" and 5/8"	No Spacers, 4 Medium Screws and No Nuts
Between 5/8" and 3/4"	1 Spacer, 4 Small Screws and 4 Nuts
Between 3/4" and 11/8"	1 Spacer, 4 Medium Screws and 4 Nuts
Between 11/8" and 13/8"	2 Spacers, 4 Small Screws and 8 Nuts
Between 11/4" and 11/2"	2 Spacers, 4 Medium Screws and 8 Nuts
Between 11/2" and 13/4"	3 Spacers, 4 Medium Screws and 8 Nuts
Between 13/4" and 2"	3 Spacers, 4 Large Screws and 8 Nuts

### STEP 4.

The Nuts can be easily removed, and the Spacers can be unclipped   with a twist of a Flat-Head Screwdriver.

Now, Frame "B" is ready to install from the outside of your door, and Frame "A" will slide into Frame "B" from the interior side of your door. Use the proper size and assortment of fasteners to secure the two Frames, "A" and "B", together with a Phillips-Head Screwdriver. [Insert any Nuts needed into Frame "B" first.]



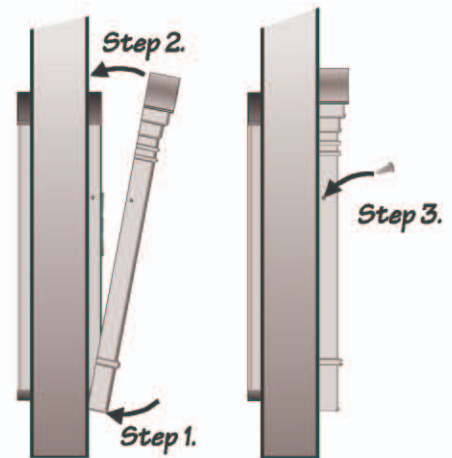
You are now ready to reinsert the Security Door. Insert the Security Door into the channel provided at the bottom of the flap. Line up the dead-bolt lock with the receiving holes on the interior sides of the Pet Door Assembly and turn the handle to the right to lock it into place.

## STEP 5

*Decorative Frames are easy to attach to and detach from the Pet Door Assembly*

*To attach, simply line up the bottom of the Decorative Frame with the bottom of the Pet Door Assembly and press the top of the Frame forward to "click" it into place. Insert the small screw provided for each side of the Frame. Use a Phillips-Head Screwdriver to secure the Decorative Frame onto the Pet Door Assembly.*

*To detach the Decorative Frame, simply remove the two screws and gently pull the Frame forward from the top first.*



## HELPFUL HINTS...

*Help your pets enjoy their new Smart Door.*

*Bring your pets to the newly installed Classy Custom Pet Door. With you on the other side of the door, show them how the flexible flap opens and closes. You can encourage your pets to come through the opening by offering a special treat. Do not force your pets, simply encourage and reward.*

*In no time your pets will love their new Classy Custom lifestyle!*

**CLASSY CUSTOM, INC. -**

**[www.info@classycustom.com](mailto:www.info@classycustom.com)**